

Micro Speaker

Model: OSR1813V-5.0F0.5W8A-W



ELECTRICAL SPECIFICATIONS

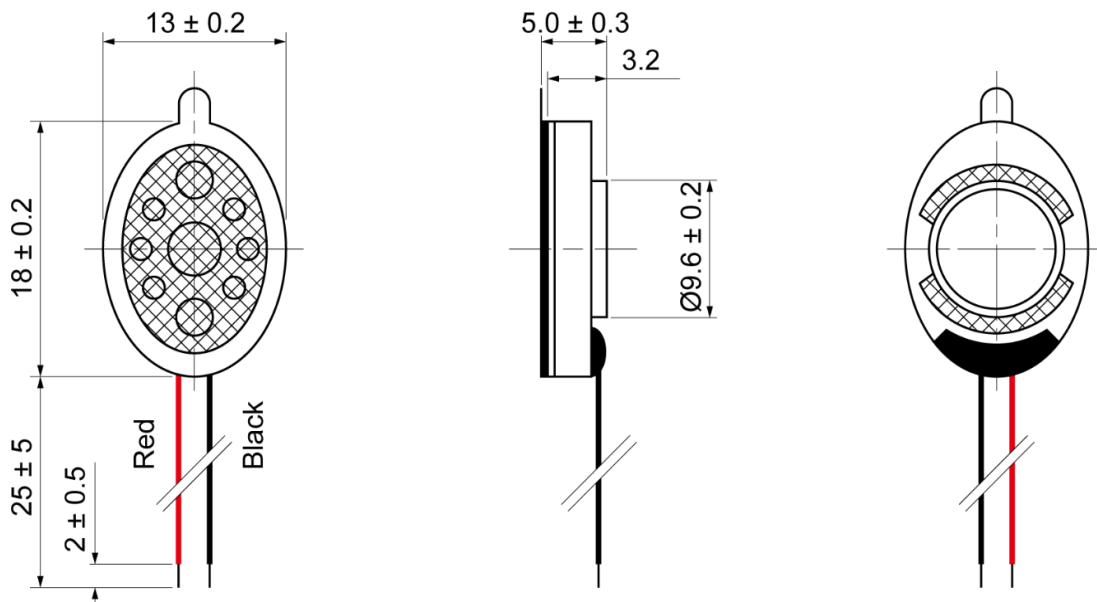
	Condition	Parameter	Unit
Sound Pressure Level	at 0.1W, 10cm [at 1.0, 1.2, 1.5, 2.0KHz]	84 ± 3	dB
Impedance	at 1V, 2000Hz	8 ± 15%	Ω
Rated Input Power		0.5	W
Max Input Power		0.8	W
Resonant Frequency (Fo)	at 1V	900 ± 20%	Hz
Frequency Range		Fo ~ 10000	Hz
Buzzer & Rattles	not be audible at sine wave between Fo ~ 10KHz	2	V
Operating Temperature		-30 ~ 70	°C
Magnet		Nd-Fe-B	
Frame Material		PPS	
Cone Material		Mylar (PEN)	
Weight		2.5	g

MECHANICAL DRAWING

Dimensions in mm

Wire: UL1571, AWG32

Tolerance ±0.5mm Except Specified



Micro Speaker

Model: OSR1813V-5.0F0.5W8A-W

FREQUENCY RESPONSE CURVE

